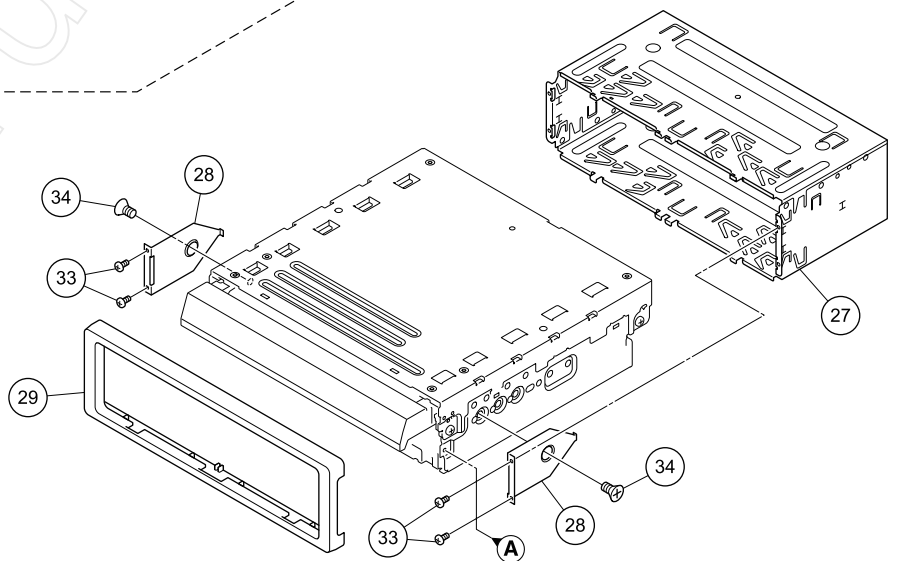
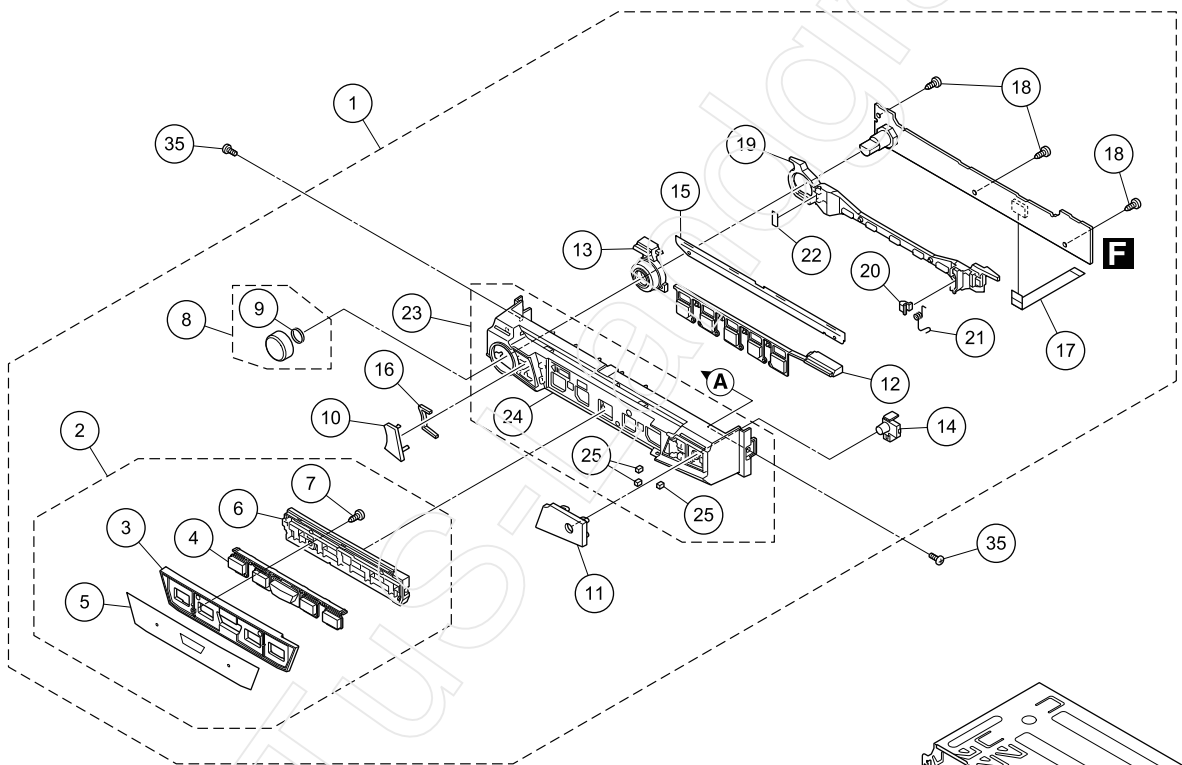
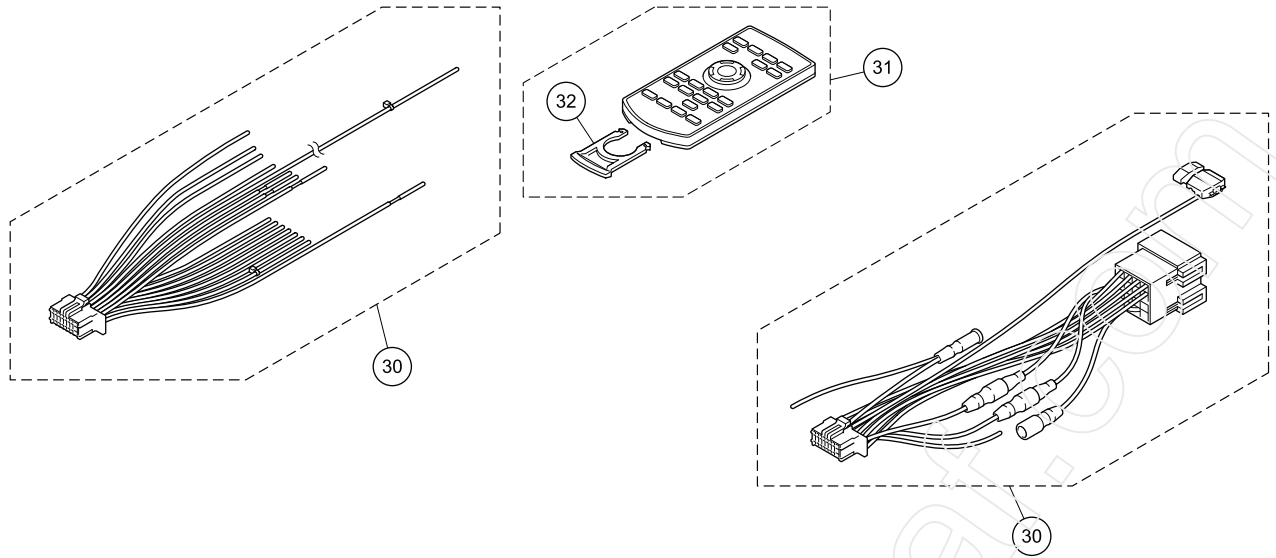
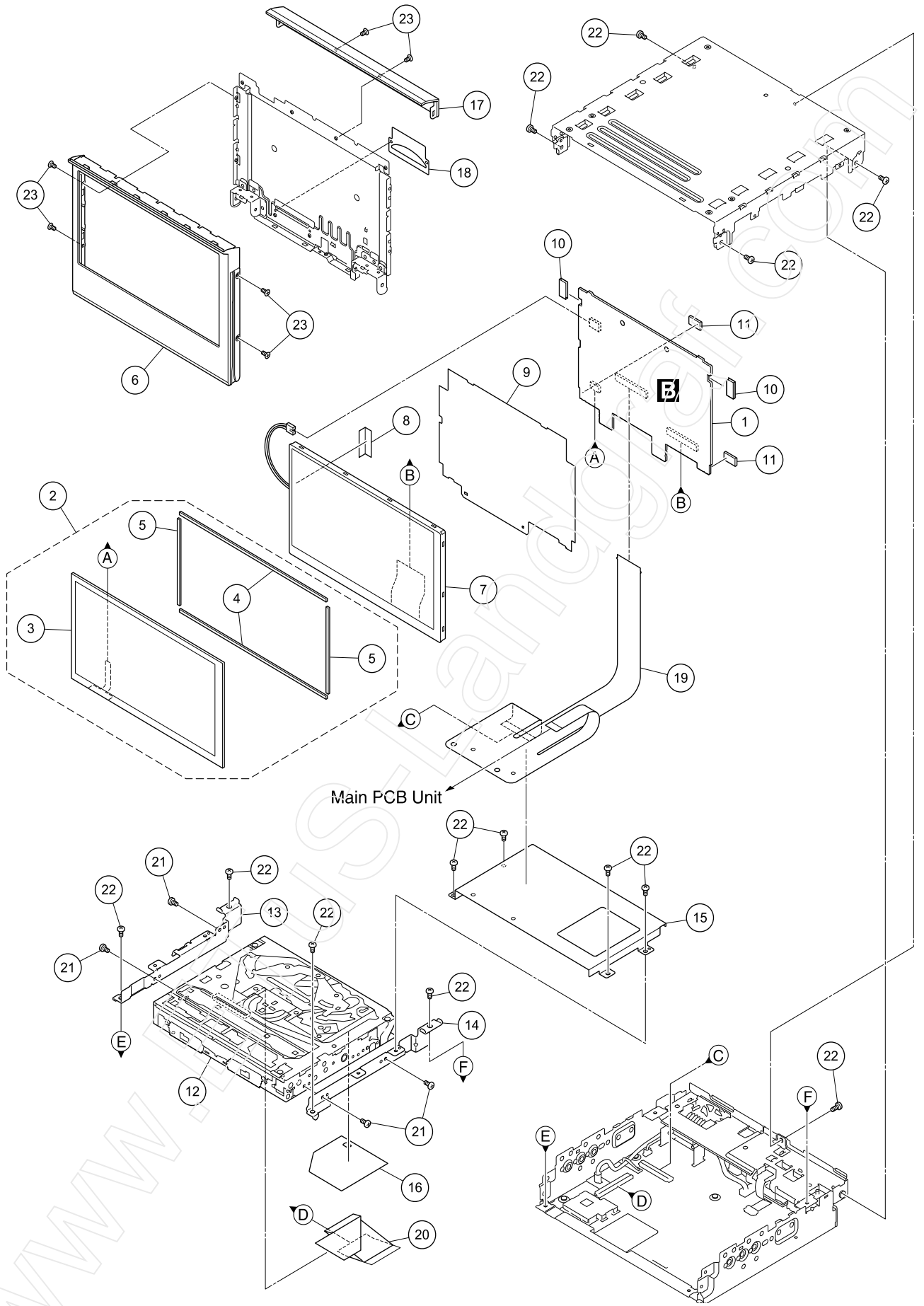


# 9.2 EXTERIOR (1)



AVH-X7800BT/XNUC

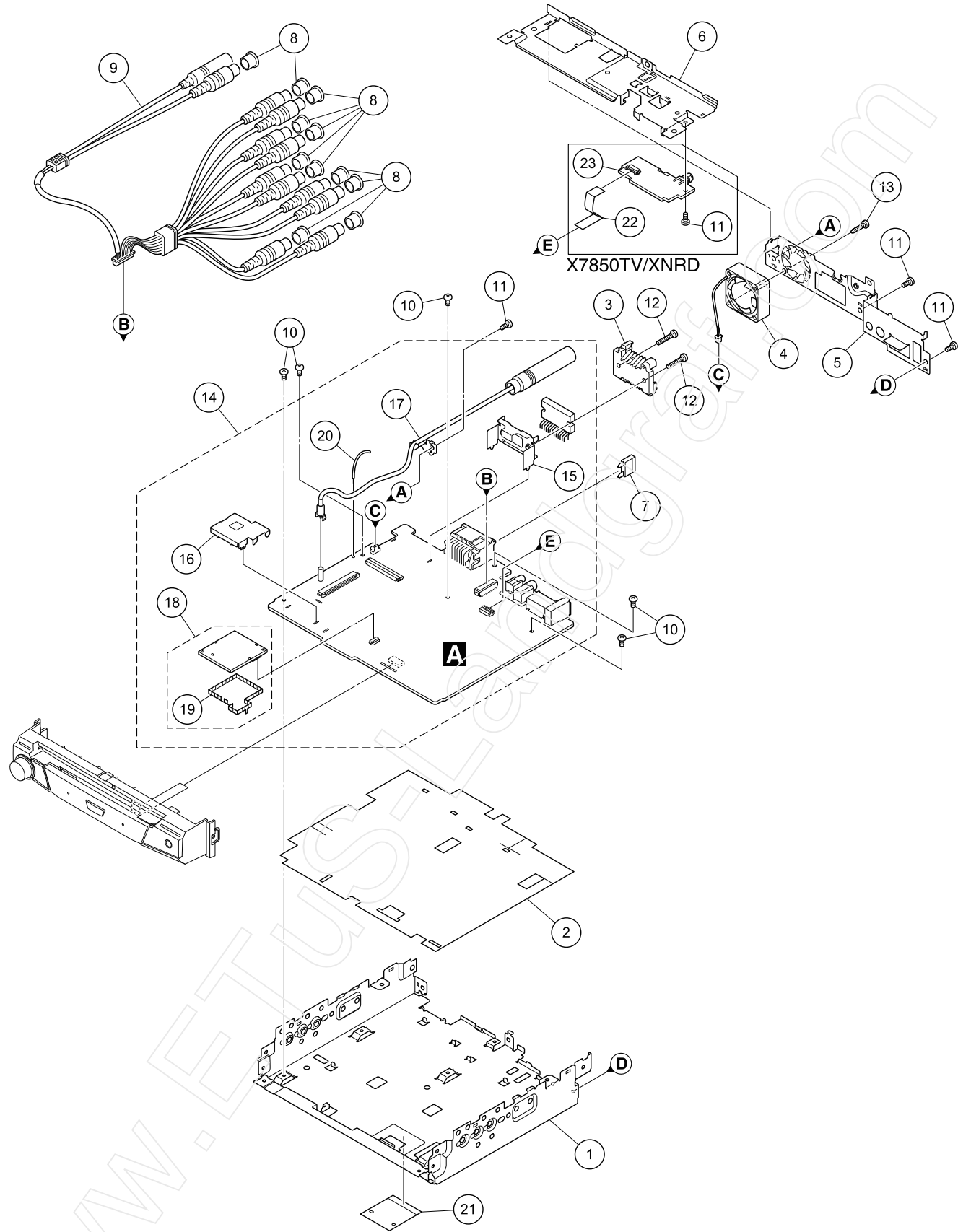
# 9.3 EXTERIOR (2)



Main PCB Unit

AVH-X7800BT/XNUC

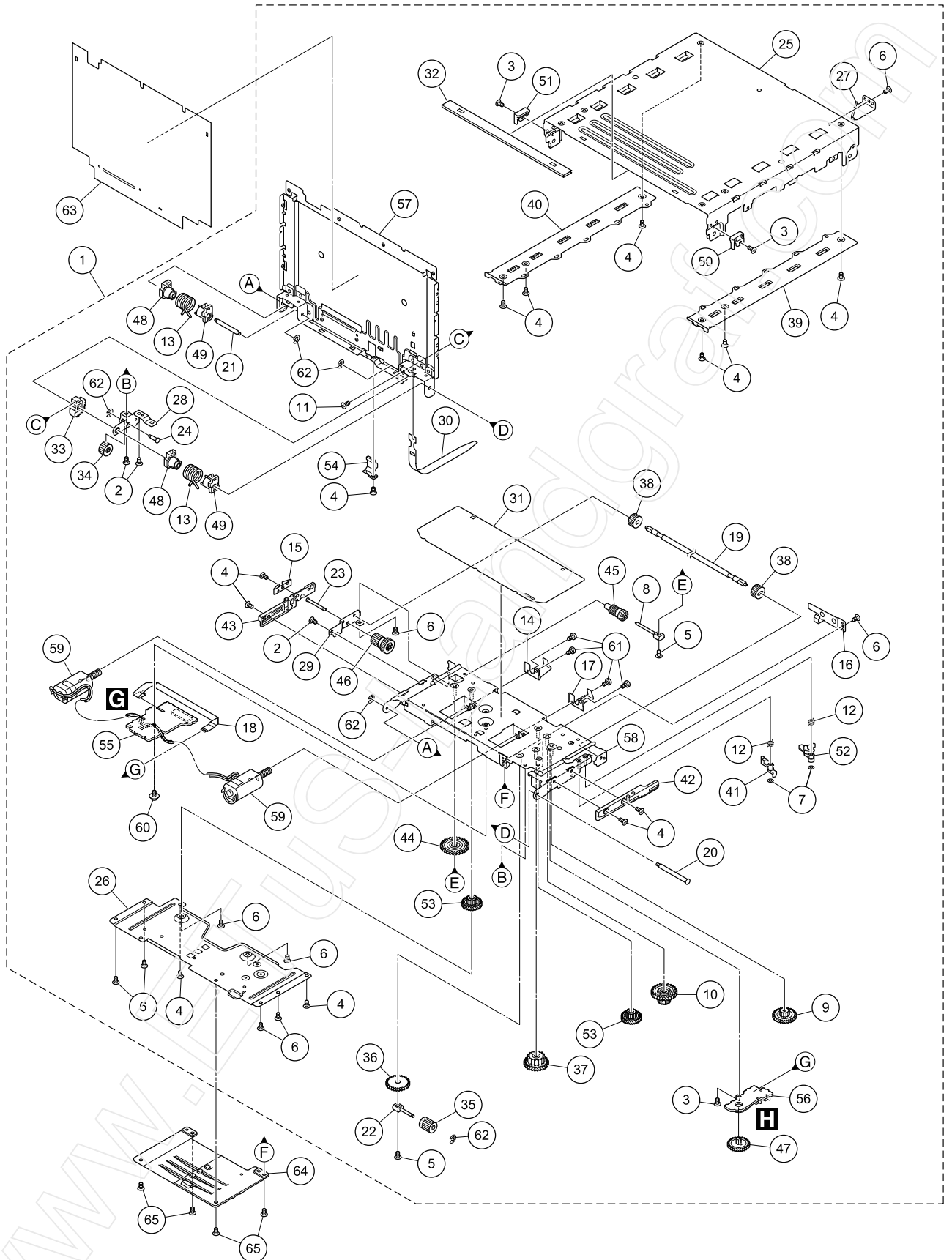
# 9.4 EXTERIOR (3)



AVH-X7800BT/XNUC

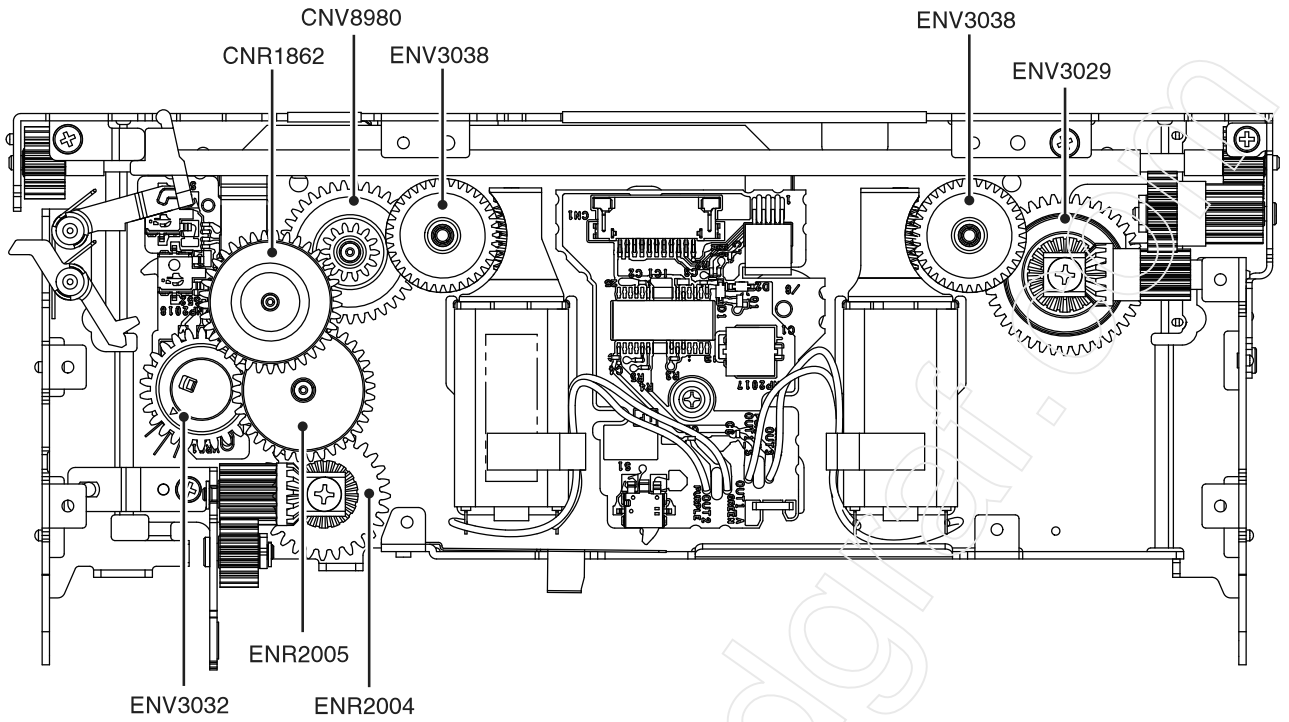
# 9.5 EXTERIOR (4)

The application position of grease is referred to page 69 and page 70.

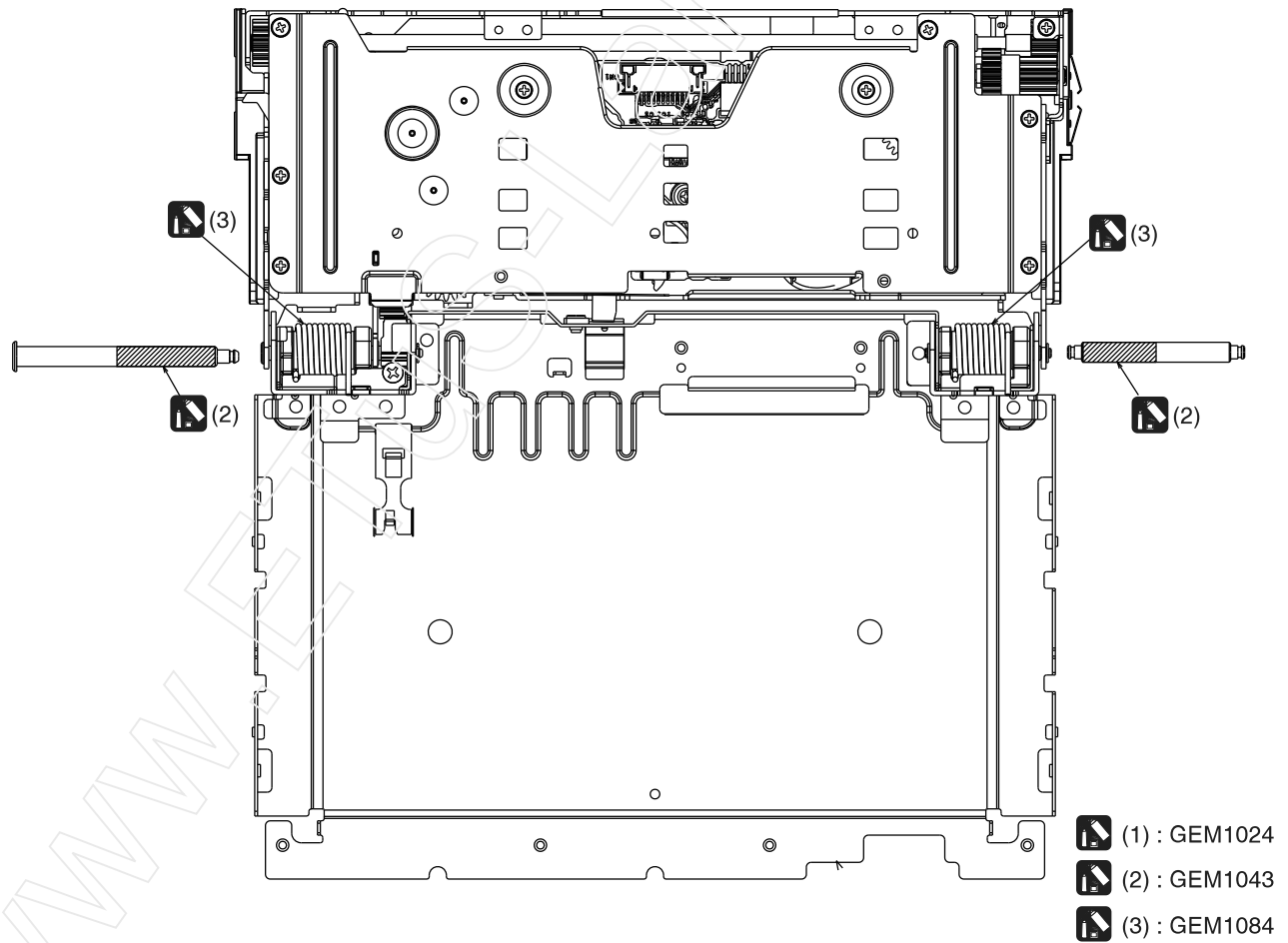


AVH-X7800BT/XNUC

● The gear assembly figure of the Drive Unit



● Grease



AVH-X7800BT/XNUC

